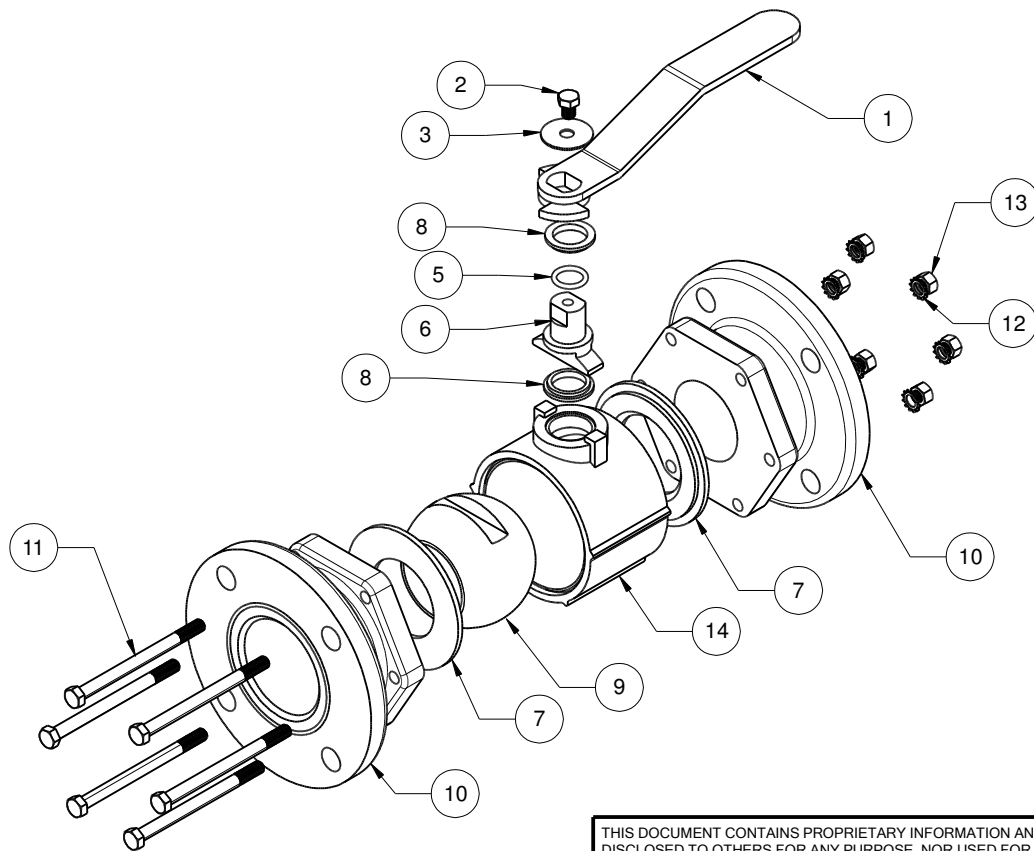



| ITEM NO | QUANTITY | DESCRIPTION | PART NO |
|---------|----------|---------------------|----------|
| 1 | 1 | HANDLE, MJETAL | 4L105 |
| 3 | 1 | SS BOLT, HANDLE | 4H029-00 |
| 4 | 1 | SS WASHER, HANDLE | 4H011-00 |
| 5 | 1 | VITON O-RING, SHAFT | 4H039-00 |
| 6 | 1 | SHAFT, POLYPRO | 4S302-00 |
| 7 | 2 | SEAT, POLYTEF | 4S102-20 |
| 8 | 2 | BEARING, POLYTEF | 4B303-20 |
| 9 | 1 | BALL, POLYTEF | 4B102-00 |
| 10 | 2 | END CAP, POLYPRO | 4E110-00 |
| 11 | 6 | BOLT, CAD | 4H009-00 |
| 12 | 6 | WASHER, CAD | 4H019-00 |
| 13 | 6 | NUT, CAD | 4H027-00 |
| 14 | 1 | BODY, POLYPRO | 4B202-00 |



THIS DOCUMENT CONTAINS PROPRIETARY INFORMATION AND MAY NOT BE DISCLOSED TO OTHERS FOR ANY PURPOSE, NOR USED FOR MANUFACTURING PURPOSES WITHOUT THE WRITTEN PERMISSION OF BEE VALVE INC

| | | |
|--|----------------------------|---|
| BEE VALVE, INC | |  |
| TITLE/DESC 3" FLANGED BOTH ENDS BALL VALVE | | |
| DATE 10/09/17 | PART NO 4011M-20 | MATERIAL SEE PARTS TABLE |
| | | REV |